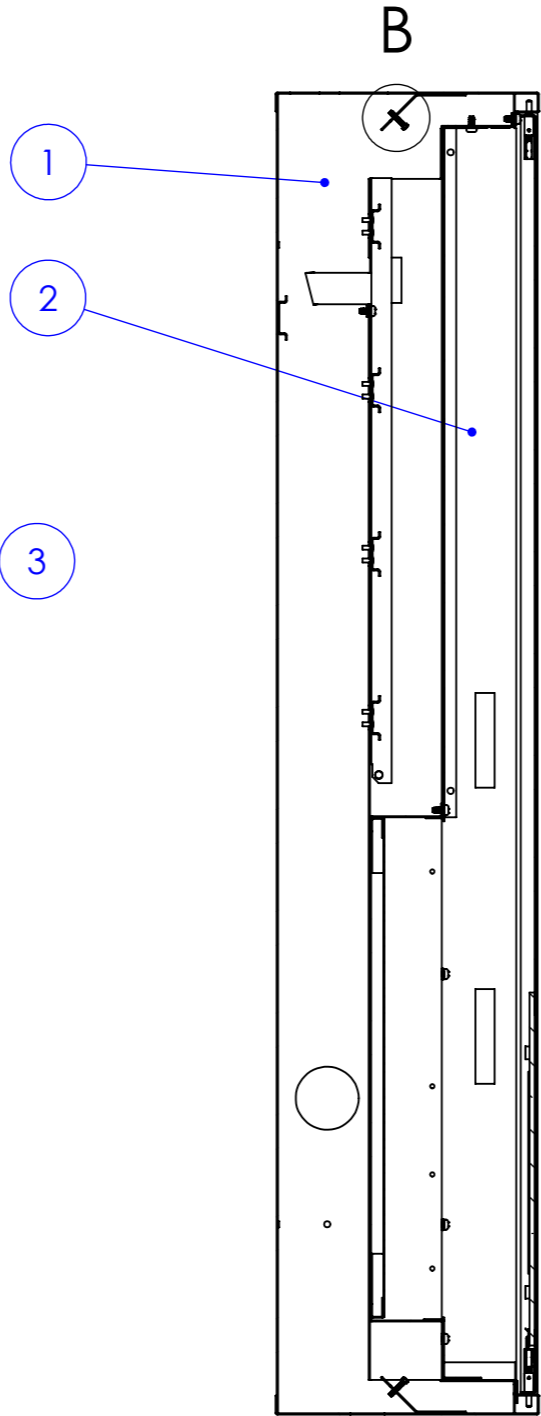
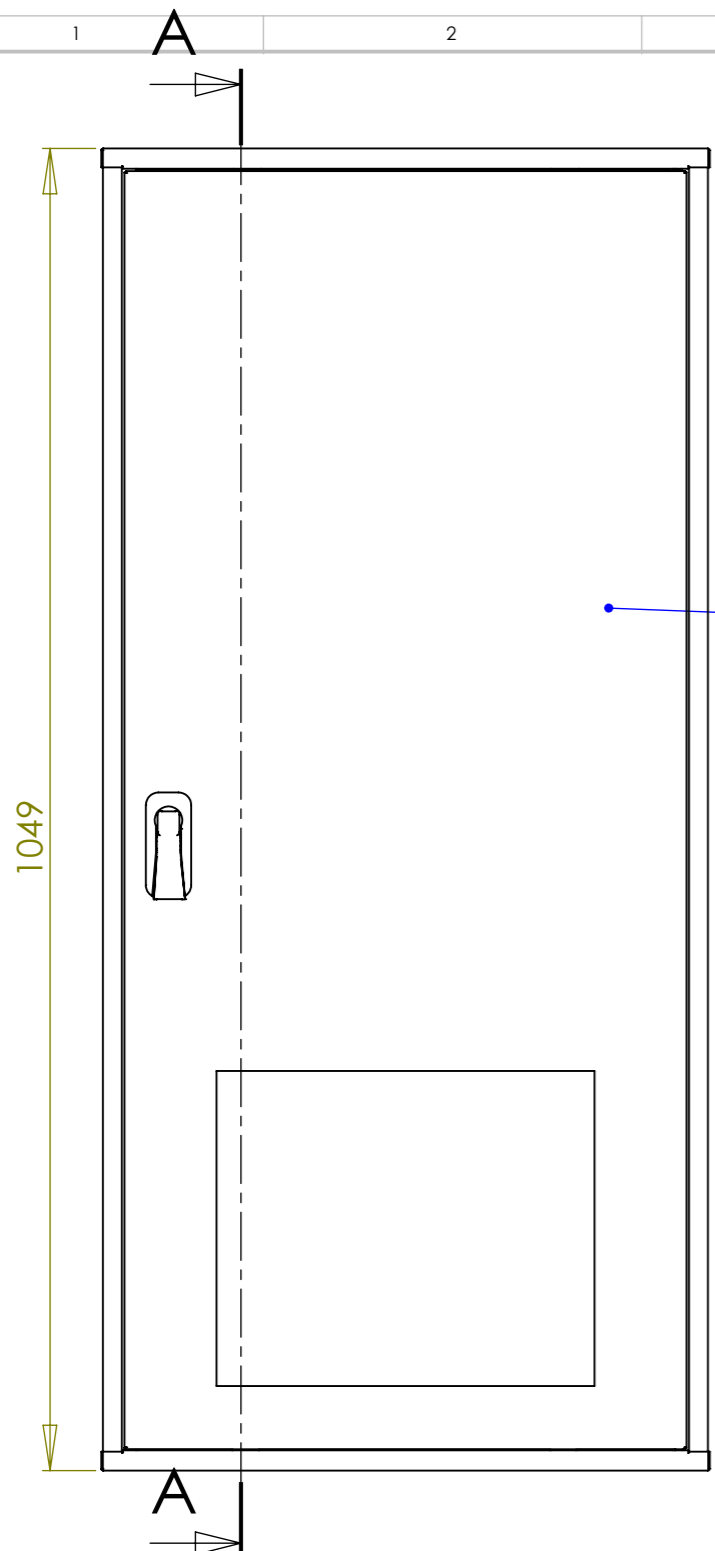
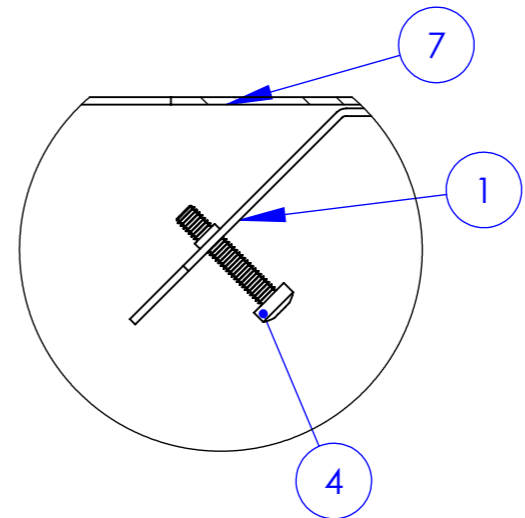


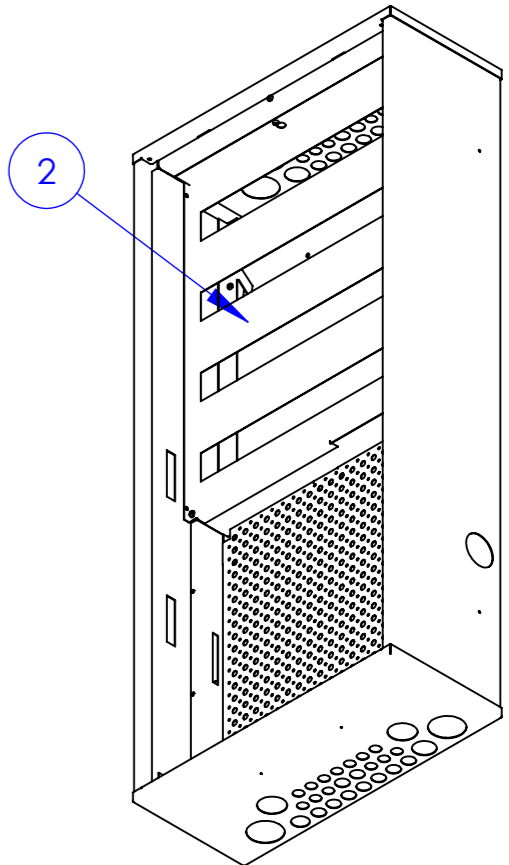
This drawing is the property of Stansefabrikken Fredrikstad AS. Fredrikstad Norway and must not be transferred, lent or reproduced without an explicit written permission from the company



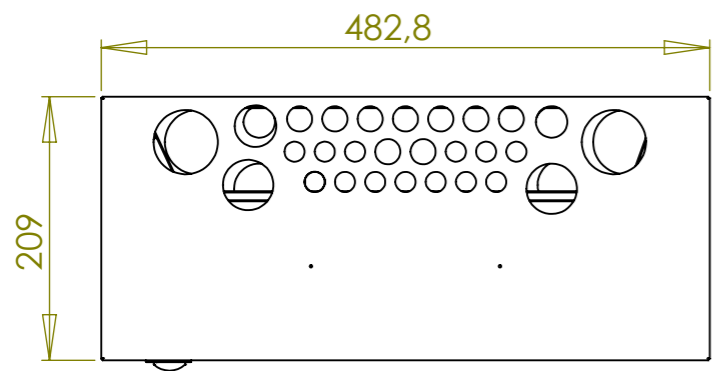
ITEM NO.	PART NUMBER	DESCRIPTION	QTY.
1	sff50455	Welded 4 row cabinet	1
2	sff50301 low vol	Assembled 4 row mounting frame	1
3	sff50586 low vol	Assembled 4 row door with latch lock	1
4	-	SCREW M3x16 DIN7985 ZN, TORX	4



DETAIL B
SCALE 1 : 1



SECTION A-A



Surface RAL9010	Material -	Sheet thickness -	Weight 21176.43
Project Altiett	Tolerance NS-ISO 2768-1,M	Units mm, g	Scale 1:6
Department Stansefabrikken Products AS	Designer GRA	2. Designer Product manager	Format A3
Logo 	Description Complete 4 row cabinet with latch lock, Altiett	Document status RELEASED	Drawing no sff50302
	Rev.no A	Date 2016-11-18	Sheet/Sheets 1 / 1